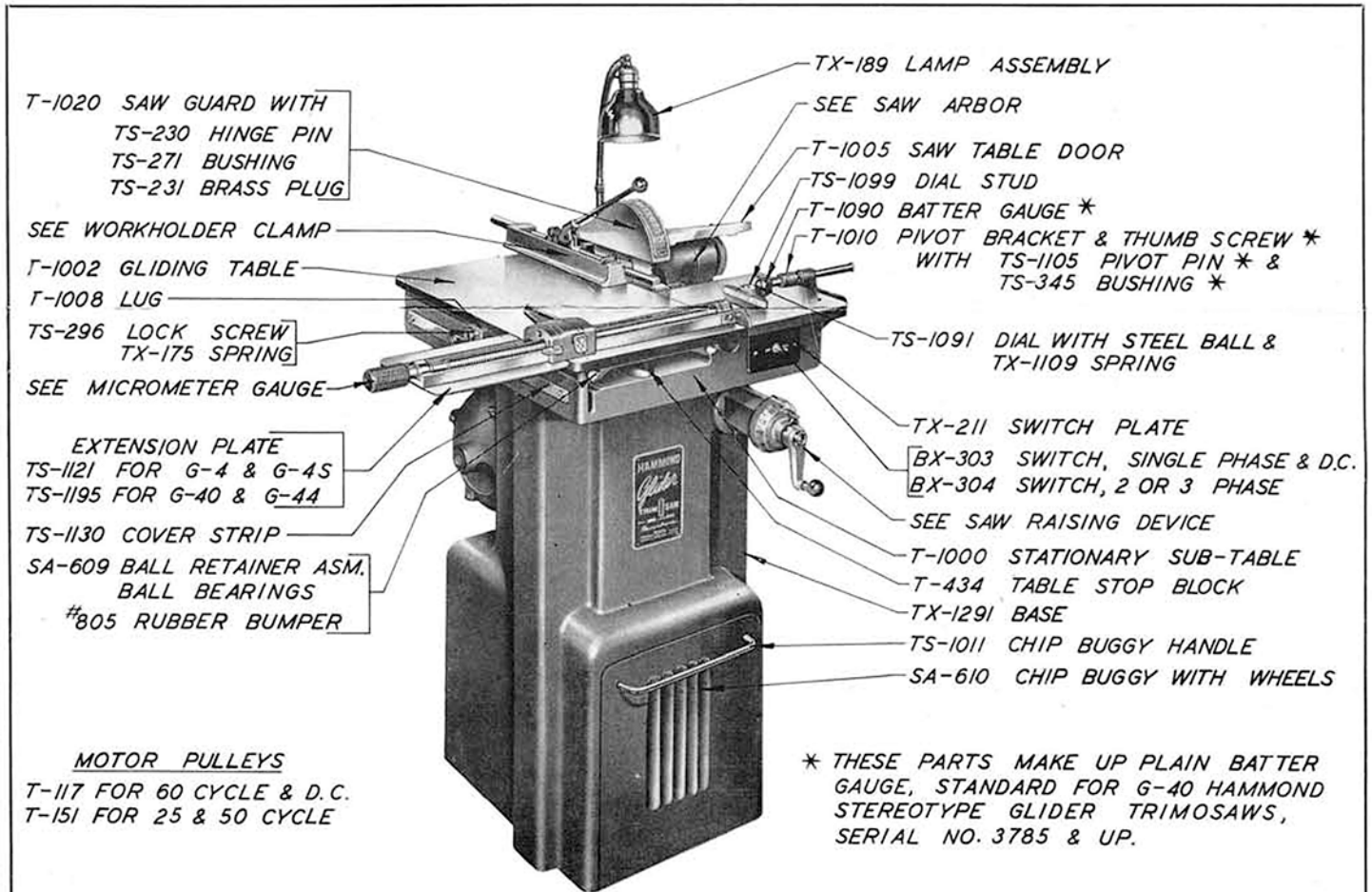


HAMMOND *Glider* TRIMOSAW

PARTS AND SUPPLY BULLETIN No. G-952

MODELS G-4, G-44, G-4S and G-40



MODEL G-4 HAMMOND GLIDER TRIMOSAW

Parts shown above are common to Glider TrimO saw Models G-4, G-44, G-4S and G-40, unless otherwise indicated.

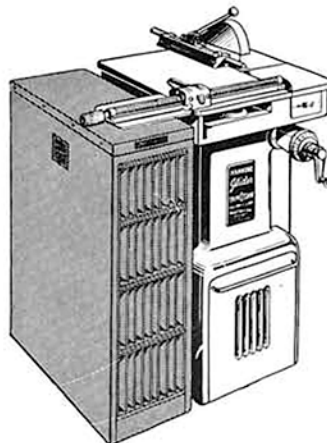
For parts not shown above, see pages 2, 3 and 4 for detail drawings of assemblies.

Patent Nos.: 2,103,528; 2,137,113; 2,466,137. Patent Designs: 100,081, 105,329. Other patents pending.

TPS - 2019

Service Department

Our Service Department is always ready and anxious to help you with the operation and maintenance of your Hammond machines. Do not hesitate to contact us any time you feel we can be of help and service to you. When writing be sure to give the MODEL and SERIAL NUMBERS of your machine.

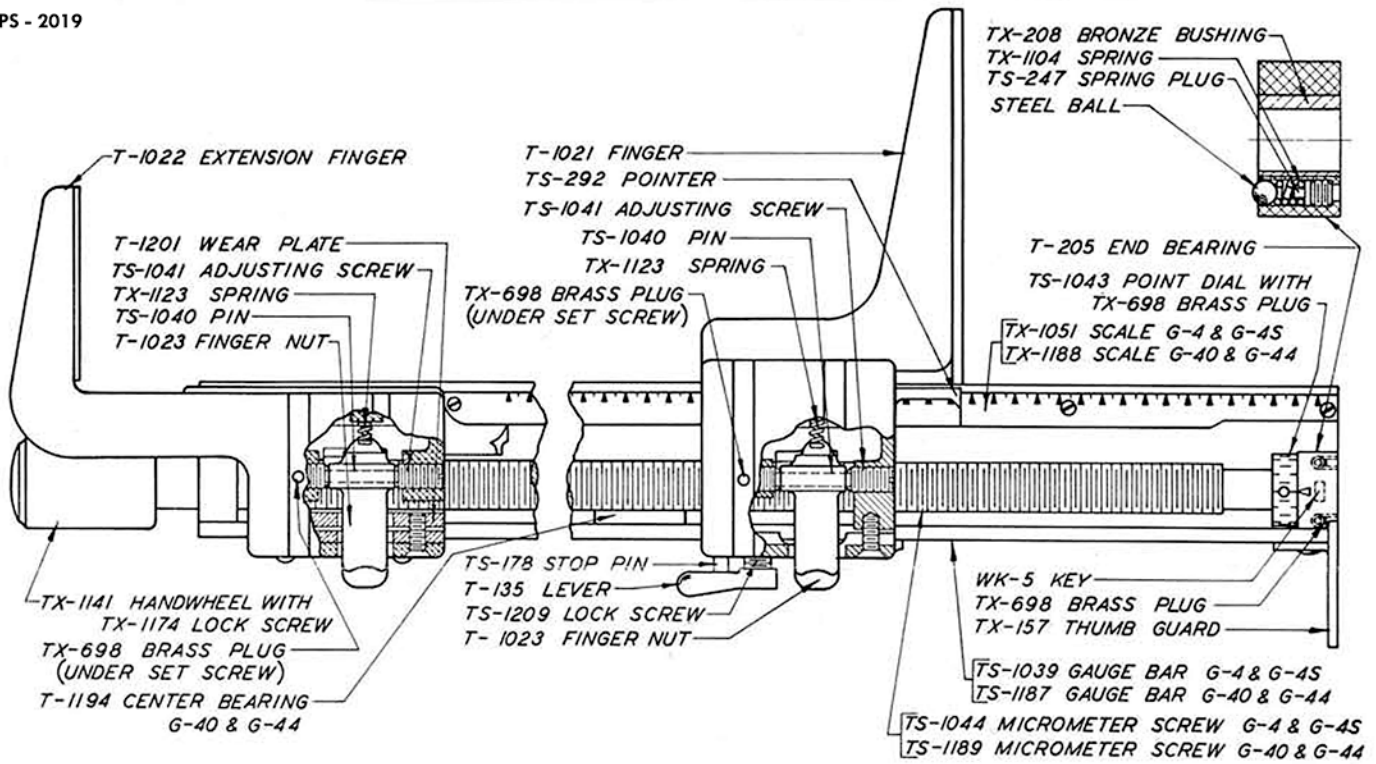


THE *Hammond* No. 32 STRIP MATERIAL CABINET

is designed and made for past and present Hammond TrimO saws. It stands on the left of the TrimO saw under the micrometer gauge overhang requiring little or no additional floor space. The 32 compartments will accommodate 1800 lbs. of full-length rule and border material.

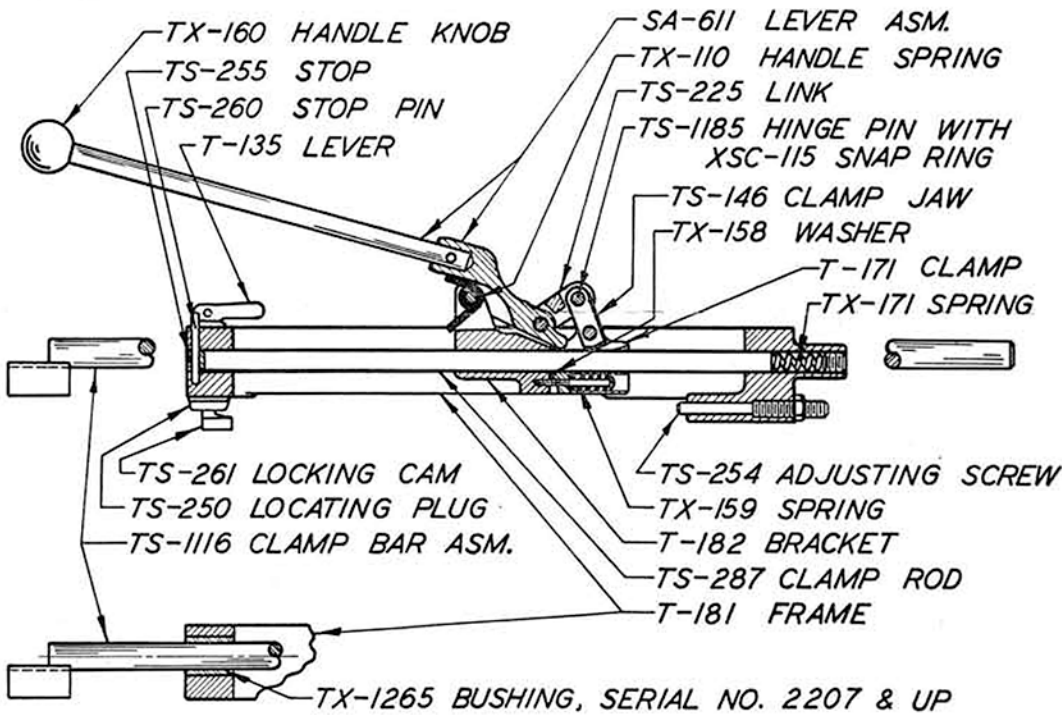
HAMMOND *Glider* TRIM O SAW

TPS - 2019



MICROMETER GAUGE

Parts shown above are common to Glider TrimO saw Models G-4, G-44, G-4S and G-40 unless otherwise indicated. The 140 PICA EXTENSION FINGER shown at left on Micrometer Gauge is an extra accessory, for Models G-4 and G-4S only.



WORKHOLDER CLAMP

For Glider TrimO saw Models G-4, G-44 and G-4S. An extra accessory for Stereotype Glider, Model G-40.

Please Note

When ordering parts or requesting service for your Glider TrimO saw please give —

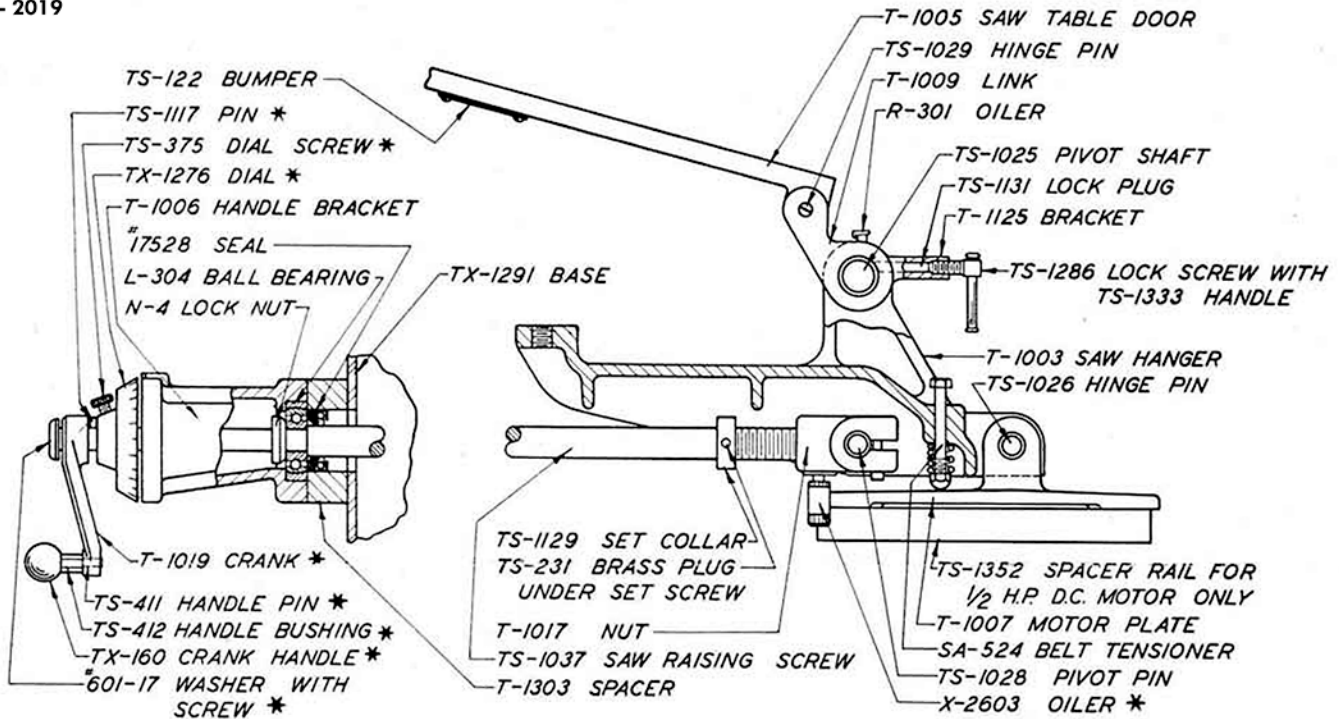
- 1) Part Number and Description
- 2) Model Number
- 3) Serial Number

Hammond

1600 DOUGLAS AVENUE

"THE SAW WITH THE BALL BEARING TABLE"

TPS - 2019



* THESE PARTS ARE NOT STANDARD FOR MODEL G-4S SLUG & RULE GLIDER TRIMOSAW. THE G-4S GLIDER CAN BE CONVERTED TO THE RAISING ARBOR G-4 TYPE AT ANY TIME.

SAW RAISING MECHANISM

Parts shown above are common to Glider TrimO saw Models G-4, G-44, G-4S and G-40 unless otherwise indicated.

DuraBlades for Glider TRIMOSAWS

For Slugs

TX-770 7" dia., 70 Swaged Teeth

For Type-High Stereos

TX-735 7" dia., 35 Swaged Teeth

For Wood

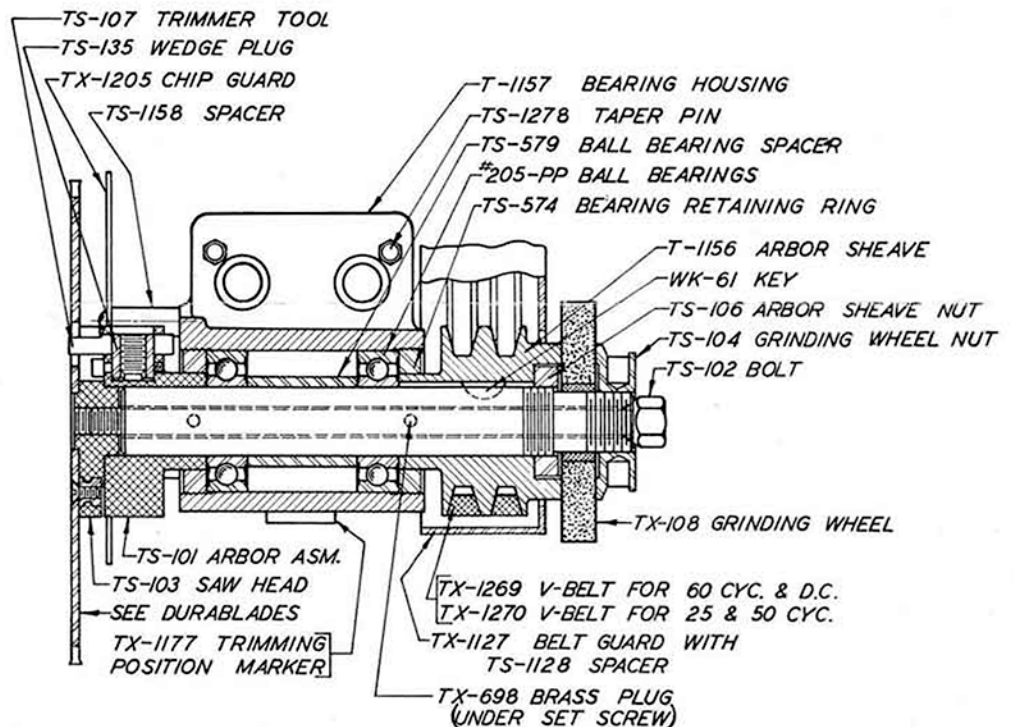
WX-770 7" dia., 70 Set Teeth

For Zinc

TX-7122 7" dia., 122 Set Teeth

All-Purpose

TX-6536 6 1/2" dia., 36 Teeth
(Must be used with Saw Oiling Device)



SAW ARBOR

Parts shown above are common to Glider TrimO saw Models, G-4, G-44, G-4S and G-40, unless otherwise indicated.

Kalamech Builders
INC.

KALAMAZOO, MICHIGAN

Hammond TRIMOSAW Accessories

SA-473 MITER VISE
 TS-192 PIN
 TS-136 THUMB SCREW
 TS-167 ROD
 TX-100 INSTRUCTION PLATE
 T-114 MITER VISE
 T-115 CLAMP

SEE EXTENSION FINGER ON MICRO-METER GAUGE BAR (EXTRA ACCESSORY)

TX-123 TRIMMER TOOL WRENCH

SA-484 TRIMMER TOOL GRINDER
 ADJUSTING SCREW
 LOCKING THUMB SCREW
 T-1124 TOOL HOLDER
 TX-1183 INSTRUCTION PLATE

Hammond
OF KALAMAZOO

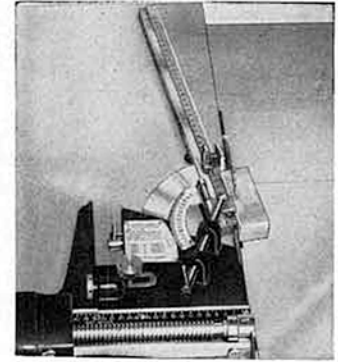
#803-A BOX WRENCH

SET SCREW WRENCHES

SA-482 TRIMMER SETTING GAUGE
 T-149 TRIM. SET. GAUGE
 TX-124 INSTRUCTION PLATE

SEE DURABLES

TX-1327 TOOL BOARD and STANDARD EQUIPMENT
 Tool Board and parts shown are standard equipment for Glider TrimO saw Models G-4, G-44, G-4S and G-40. SA-473 Miter Vise Assembly is an extra accessory for Model G-40 Stereotype Glider TrimO saw.



MODEL D ANY-ANGLE SAWING AND MITERING GAUGE — enables you to set ads at angles and saw base and border to exact angle and correct length without guesswork. Any-Angle range from 1½° to 20°.



SAW GRINDING and TRUING DEVICE — a rapid and precise means of both grinding and truing blades. Truing is automatically done at the same time as grinding through the use of a master index plate. It is particularly convenient with All-Purpose Blades which are ground only and not swaged.

TX-152 SEE-THRU GUARD

TS-1186 CLAMP

TS-1164 GUARD ARM

TS-114 GUARD ARM COLLAR

SEE-THRU GUARD
 Standard equipment for Model G-40 Stereotype Glider TrimO saw, and an extra accessory for Glider TrimO saw Models G-4, G-44 and G-4S.

HAMMOND DURABLES

#3915 OILER

TS-1147 CLAMP BAR

TS-1145 INNER OILER PIPE

TS-1146 OUTER OILER PIPE

#2055 FELT WICK

TX-1206 CHIP GUARD, REPLACES TX-1205 REGULAR CHIP GUARD WHEN SAW OILER IS USED

SAW-OILING DEVICE (Extra Accessory)
 The Saw-Oiling Device must be used with TX-636 and TX-6536 All-Purpose DuraBlades.

Hammond Machinery Builders
INC.

1600 DOUGLAS AVENUE • KALAMAZOO, MICHIGAN

Operating Instructions

Hammond MODEL D ANY-ANGLE SAWING and MITERING GAUGE

CLAMPING WEDGES — The high area of the swivel clamp is for clamping base-high material and the low area for clamping higher material. Swivel the clamp onto the work and lock firmly with the eccentric lock. **CAUTION** — For angles of 5 degrees and less, the swivel clamp must be at its extreme left hand position or it will run into the saw blade. For angles of 5 degrees and more, the clamp should be in its extreme right position.

When sawing a short wedge with small angle, remove the Any-Angle Gauge finger after clamping the stereo block to prevent running the finger into the saw blade.

SAWING WEDGES WITH BLUNT ENDS — For sawing a wedge with blunt, rather than a sharp end, loosen the Any-Angle Gauge hold-down screw and turn the Glider micrometer gauge back an amount equal to the width of the blunt end. Tighten the hold-down screw. The sharp end will have to be sawn off after the Any-Angle Gauge is removed or on another saw. When doing this, set the saw micrometer to length "A" and place side "A" of wedge against micrometer gauge.

MITERING RULE — For mitering boxes of any number of sides, first saw and trim the necessary number of rule to the desired length. Leave the saw arbor in trimming position.

Mount the Any-Angle Gauge and set it to the proper degree for the particular box being mitered (See instruction plate on gauge for degree setting of 3, 4, 5, 6, and 8 sided miters). With the Any-Angle Gauge finger set at the same measurement as the length of the rules and with one rule in place, bring the batter gauge up to the rule and lock the batter gauge. See Fig. 5. Remove the Any-Angle Gauge finger.

Put one rule at a time in place and butt each against the batter gauge. Clamp all the rule firmly in place with the screw type rule clamp making sure that the clamp is not going to run into the saw blade. See Fig. 5.

For mitering the other end of the rule, turn the rule face down and place unmitered ends against batter gauge. Then clamp as previously described.

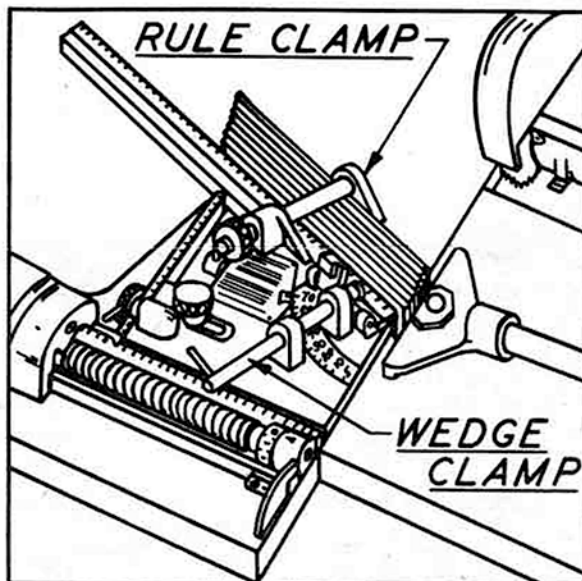


Fig. 5

Hammond Machinery Builders
INC.

1600 DOUGLAS AVENUE • KALAMAZOO, MICHIGAN

Operating Instructions

Hammond MODEL D ANY-ANGLE SAWING and MITERING GAUGE

For use only with Hammond Glider TrimSaws and on the following models: G-3, G-2, G-2F, G-20, G-4, G-44, and G-40

INSTRUCTION SHEET AAG-850

MOUNTING THE ANY-ANGLE GAUGE—Make sure that the bottom and edges of the Any-Angle Gauge are clean and also that the Glider micrometer gauge and finger are clean. Set the Glider micrometer gauge at 35 picas and zero points. Place the Any-Angle Gauge in position, lock it to the Glider finger and fasten it to the table with the hold-down screw. Move the saw arbor to plate sawing position.

SAWING WEDGES—First "square" off the ad by drawing lines touching the corners of the angle ad and at right angles to and parallel with the rest of the layout. See the illustrations and note how the wedges are made visible and measurable by the "squaring" lines. There are two methods for measuring and sawing. Choose whichever you think is the easier — both are described as follows:

PROTRACTOR METHOD—Measure angle "X" with protractor as shown in Fig. 1. Measure in picas, the length of the wedge on straight side "A."

Set and lock the Any-Angle Gauge protractor to the required number of degrees—"X." See Fig. 2. Set the Any-Angle Gauge finger to the pica measurement—"A." Place the stereo block from which the wedge is to be sawn against the gauge and finger and clamp with the eccentric lock (see CLAMPING paragraph).

NOTE: Four wedges can be sawn from the four sides of one stereo block if the block is large enough to start with. There is no change of angle for any of the four wedges. Only change the finger setting if side "A" of two of the four wedges is a different length. Whenever the ad is square, all four wedges are the same size. When the ad is rectangular, wedges 1 and 2 are the same size and wedges 3 and 4 are the same.

MEASUREMENT METHOD—If the use of the protractor and angular measurement is not desired, wedges can be made entirely from lineal measurement. Measure the pica length of side "A" of wedge and the pica length of the side "B"—see Fig. 3. Mark "B" length on stereo block measuring from a corner.

Set the Any-Angle Gauge finger to measurement "A." With block in place, swivel the Gauge to line-up the scribed mark (measurement "B") with the left hand side of the saw blade—see Fig. 4. Lock the Gauge and clamp the block with the eccentric lock (see CLAMPING paragraph).

See Note paragraph under PROTRACTOR METHOD.

TPS - 2019

continued over



1600 DOUGLAS AVENUE • KALAMAZOO, MICHIGAN

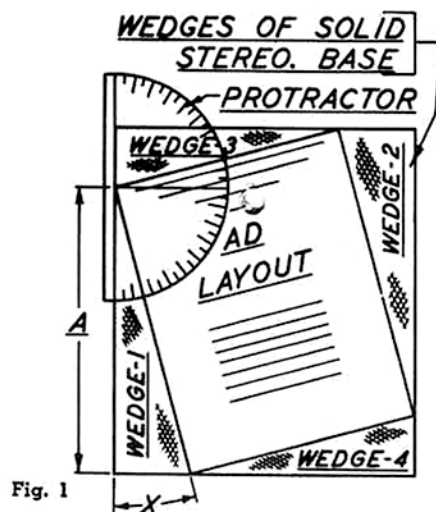


Fig. 1

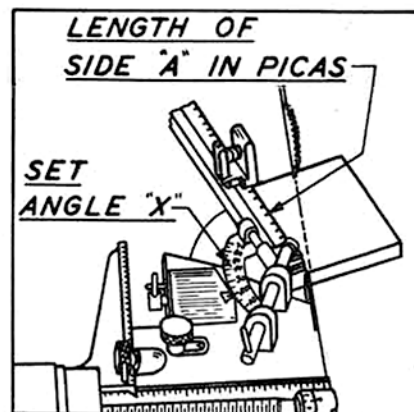


Fig. 2

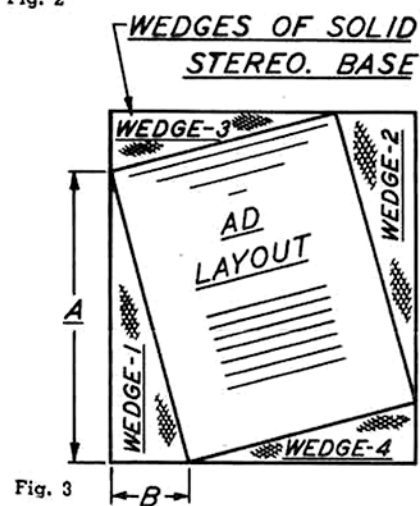


Fig. 3

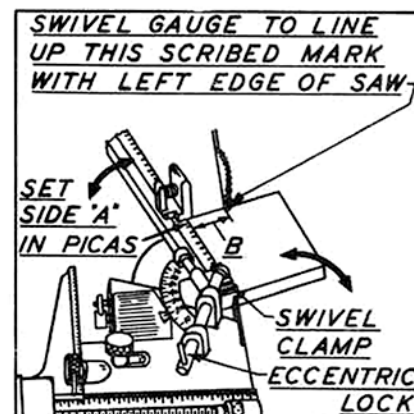


Fig. 4



TRIMOSAW INSTRUCTIONS

MODELS G-4, G-44, and G-40

INSTRUCTION SHEET NO. G-156

Sawing is an important operation and for it you have installed the finest machine made that you may insure yourself accuracy with speed.

To derive maximum use and productive efficiency from your Glider TrimO saw, it should be oiled and cleaned regularly, the saw blades and trimmers kept sharp, and one person should be responsible for its condition.

Your Glider has passed through rigid testing and inspection. Wear take-ups have been provided at wearing points that you may preserve its mechanical excellence.

The Model G-40 is the Stereotype Glider Model which does not carry the following composing room equipment: Workholder Clamp, Miter Vise and Batter Gauge Dial. The instructions herein pertaining to this equipment therefore do not apply to the G-40.

INSTALLING THE GLIDER TRIMOSAW

Remove all shipping oil and grease with clear gasoline. Be sure to clean all of the machined and all of the operating surfaces, give special attention to the micrometer gauge, gauge finger, workholder clamp and table ways to make certain they are clean and operate freely.

Electrical connection is made into the connecting box under the table at left rear corner. The motor has been connected for the voltage shown on the Packing Slip. The lighting fixture plugs into connecting box cover for 110 volt machines only. On higher than 110 volt service the lighting fixture must be connected to a separate 110 volt line.

CLEANING AND OILING

CLEAN WEEKLY: (Use Clear Gasoline and Clean Cloth)

- 1 — Ball Bearing Table Ways: clean all four ways by cleaning half of each way with table at one end and repeat with table at other end. Apply a light oil film to table ways with a clean cloth dampened with oil.
- 2 — Gauge and Finger: clean the two sliding surfaces of the micrometer gauge and the two on the finger and the finger half-nut thread. **DO NOT OIL.**
- 3 — Workholder Clamp: clean sliding surfaces (round rods). **DO NOT OIL.**
- 4 — Table Ball Alignment: when doing weekly cleaning, bump the table at both ends of its stroke until the rubber bumpers are felt hitting the table stops. This will keep the balls in proper position to provide maximum sawing capacity in front of saw blade.

OIL WEEKLY: (Use No. 10 Automobile Oil)

- 1 — Workholder Clamp: oil four joints of toggle links.
- 2 — Motor: lubricate according to motor manufacturer's instructions attached to motor.

DISMOUNTING AND MOUNTING SAW BLADE

Remove workholder clamp and pull table forward. Raise saw arbor to highest position. Place box wrench on hexagon thru-bolt head at right end of arbor and "T" wrench in one trimmer lock. With "T" wrench resting on table, pull box wrench forward to loosen bolt. Unscrew bolt and remove saw together with saw head. Before mounting saw make sure faces of head and arbor are clean. Carefully place saw with head in position and tighten with thru-bolt.

KINDS OF SAW BLADES

For Slugs and Rule	TX-770	7" dia.	70 Swaged Teeth DuraBlade.
For Stereotypes	TX-735	7" dia.	35 Swaged Teeth DuraBlade.
For Zinc	TX-7122	7" dia.	122 Set Teeth DuraBlade.
For Wood	WX-770	7" dia.	70 Set Teeth DuraBlade.
All-Purpose	TX-6536	6½" dia.	36 Teeth hollow ground hard metal blade. For slugs, rule, stereos, electros, zinc, copper, brass, and wood. Saw oiling device should be used with this blade to prevent loading.

TRIMMER TOOLS

TRIMMER TOOL LOCKS

Use T-Wrench for locking and unlocking trimmers. If the trimmers stick after unlocking, the locks can be loosened by tapping the ends of the T-Wrench while it is in each lock.

SHARPENING TRIMMER TOOLS

See instructions on the Trimmer Tool Grinder and use flat face grinding wheel TX-108.

SETTING TRIMMER TOOLS

See instructions on the Trimmer Setting Gauge.

WORKHOLDER CLAMP

The workholder clamp is secured to the table by a fastening pin at the rear and an eccentric lock at the front. The rear fastening pin is adjustable for proper fitting of the clamp to the table.

The spring that determines the tension with which the clamp locks is located in the projection at the rear of the clamp frame. The tension can be varied with the set screw in this projection. Do not change the original tension setting unless necessary and then be sure the clamp operates with strong tension.

The clamp is designed for clamping down to eight point measure.

MITERING

See instruction plate on miter vise, if ordered with machine.

BATTER and LINE-UP GAUGE

The combination batter and line-up gauge is used for batting slugs against the finger before clamping, squaring of cuts and lining-up odd length slugs. It is also used for mitering — see instruction plate on miter vise if ordered with machine.

Tension adjustment is provided by set screw in batter bar holder. Squaring adjustment is provided in the mounting bracket.

LIGHTING FIXTURE and SEE-THRU GUARD MOUNTING

Lighting Fixture and See-Thru guard mounting bracket is located on motor support bracket shaft on right hand side of machine at rear. The See-Thru guard is extra equipment.

For sawing large plates, the See-Thru guard can be removed from the bracket, the bracket loosened, and the light turned backward.

For electrical connection to the lighting fixture see instructions under INSTALLING THE GLIDER TRIM-OSAW.

ALUMINUM SAW GUARD

This is attached with a special stud screw onto the rear stationary table. Place friction washer on stud screw between saw guard and table. The stud screw is locked with a set screw at the rear. Adjust so that the guard swivels with good tension.

ADJUSTMENTS FOR WEAR

MICROMETER GAUGE

End play may be removed by loosening set screw in end of handle and turning the handle while holding the micrometer gauge screw from turning.

MICROMETER GAUGE FINGER

Looseness in its fit may be eliminated by adjusting the socket head screws on the front of finger.

Looseness in the half-nut may be removed by tightening the screw on the right face of the arch. A set screw at the top must first be loosened.

SAW ARBOR

The arbor is fitted with two ball bearings. To remove end play or replace the bearings, please communicate with the factory for instructions.

GLIDING TABLE

If the gliding table doesn't appear to be operating correctly, clean all four ball bearing ways with clear gasoline and bump the table at both ends until rubber bumpers are felt hitting to re-align the balls. The table should then run smoothly through its full stroke and not have any side play. DO NOT attempt to adjust the ball bearing ways without first communicating with the factory.

SERVICE DEPARTMENT

Our Service Department will gladly send you any additional information about your Glider TrimOsaw you may care to have. Write us any time you feel we can be of help or assistance. Please give Model and Serial Number of your machine when writing.

Hammond Machinery Builders
INC.

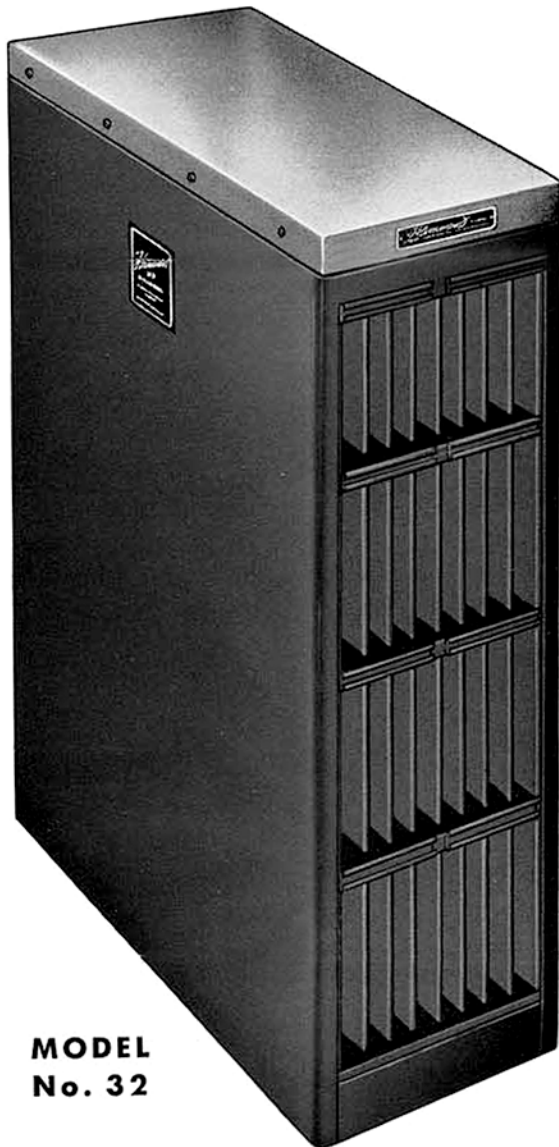
1600 DOUGLAS AVENUE • KALAMAZOO, MICHIGAN

INSTRUCTION SHEET
No. G-156

HAMMOND

Strip Material Cabinets

FOR TRIM SAWS



**MODEL
No. 32**

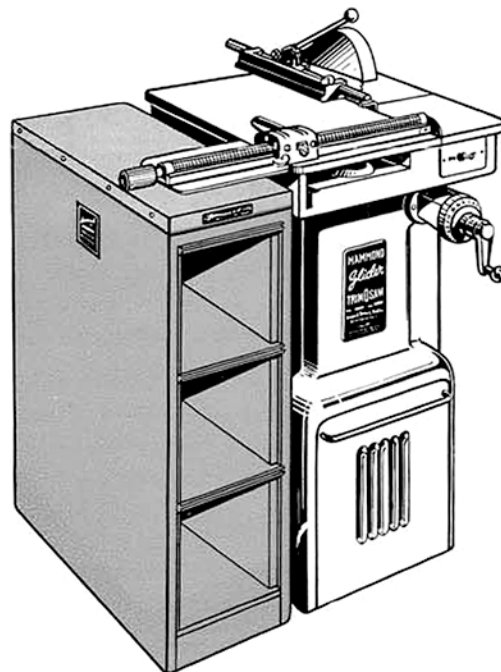
SPECIFICATIONS

Dimensions.....	12 1/2" wide; 34 1/2" high; 24 1/2" deep
Clearance Below TrimOsaw Micrometer Gauge.....	2"
Capacity	1800 lbs.
Net Weight	85 lbs.
Shipping Weight	110 lbs.

SAVE steps with a strip material cabinet next to your saw. Use the dead space under the micrometer gauge overhang for storage of strip material. The Hammond Strip Material Cabinet is made to fit alongside past and present models of TrimOsaws (and other makes of saws). It holds 1800 lbs. of material.

The Model No. 32 Cabinet has 32 compartments for full length material. Label holders are provided above each section of compartments. Masonite dividers, which are finished on both sides with front edges rounded and smooth, are set in slots in the wood shelves. The masonite and wood compartment unit sets rigidly in a sturdy steel case. The top, which is a handy place for galleys, is made of stainless steel. The underside of the micrometer gauge clears the cabinet top by 2".

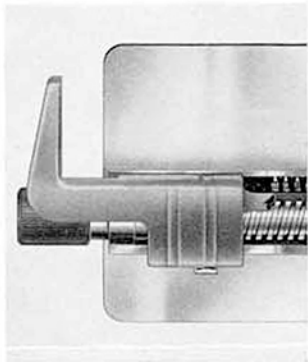
The Hammond Strip Material Cabinet will do its job for long years to come because of its top grade and solid construction. It turns space that is presently dead and wasted to convenient and profitable use.



**MODEL
No. 320**

This illustration shows how the Strip Material Cabinet sits alongside of the Glider and underneath the overhang of the gauge. It also illustrates the Cabinet without the dividers for bulk storage — this being Model No. 320.

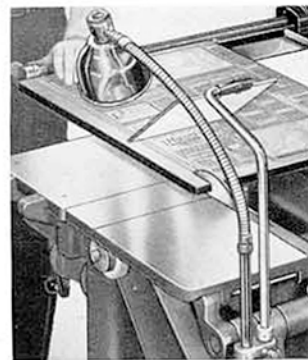
Hammond TRIMOSAW Accessories



EXTENSION FINGER for Micrometer Gauge

The micrometer gauge Extension Finger provides extra gauge capacity as simply and easily as placing the regular finger on the gauge. There are no adjustments to make because the gauge has already been set in relation to the saw blade and trimmers for use with the regular finger. Below the main pica scale is the smaller "Extension Finger Scale" which is read like the main scale when the Extension Finger is used.

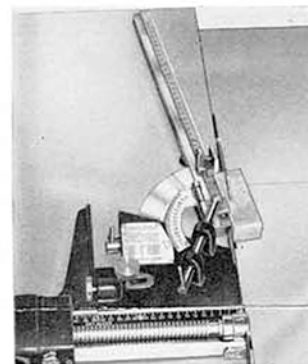
The capacities of the Extension Fingers for the three TrimOsaws are: 140 pica on G-4 Glider, 136 pica on M-9 Mercury and 135 pica on the BF-10 Ben Franklin.



FLEXIBLE LIGHT FIXTURE and SEE-THRU GUARD

The chrome plated Flexible Light Fixture locates in a support bracket at right rear corner of each TrimO saw's table, providing spot illumination at the work point without interfering with sawing operations. It is standard equipment on Models G-4, G-44, G-40 and Master BF-10 and is an extra accessory for the M-9 and Standard BF-10.

The See-Thru Guard is a valuable asset when sawing stereotypes because you can See-Thru it while sawing and it provides protection from chips. It can be set to the desired position or pushed out of the way. It is standard equipment on Models G-40, M-9 and Master BF-10 and is an extra accessory for the G-4, G-44 and the Standard BF-10.



ANY-ANGLE GAUGE

The Hammond Model D Any-Angle Sawing and Mitering Gauge for Glider TrimOsaws enables you to set ads at angles and saw base and border to exact angle and correct length, without guess work. Overhead eccentric clamp holds firmly everything from the smallest to the largest pieces. Any-Angle range from $1\frac{1}{2}^{\circ}$ to 70° .

SAW GRINDING and TRUING DEVICE

The Hammond Saw Grinding and Truing Device is a rapid and precise means of both grinding and truing blades. Truing is automatically done at the same time as grinding through the use of a master index plate. It is particularly convenient with All-Purpose Blades which are ground only and not swaged.

The ALL-PURPOSE SAW BLADE will handle all types of print shop sawing, including brass rule, zinc and copper plates, wood, slugs, rule and stereotypes. It is made of high-speed steel and is hollow ground for cutting clearance. It has of necessity a minimum amount of cutting clearance and a Saw Oiler must be used for lubricating both sides to prevent loading. Further, oiling extends the life between sharpenings.

BULLETIN 945R



SOLD BY

SEE OVER FOR STRIP MATERIAL CABINETS

95510

TPS - 2019

Hammond
Machinery Builders
INC.

1600 DOUGLAS AVENUE KALAMAZOO, MICHIGAN U.S.A.

BOX LIST

G-4B, G-4OB, G-44B and G-4SB

GLIDER - TRIMOSAW

The following equipment is packed in this box:

STANDARD EQUIPMENT

- 1 - Saw head mounted on saw blade (other set on machine)
- 1 - T-1020 Aluminum saw guard
- 1 - Micrometer gauge finger
- 1 - Workholder clamp (not furnished with G-4OB)
- 1 - Left hand miter vise (not furnished with G-4OB)
- 1 - Batter gauge
- 1 - Trimmer tool grinder
- 1 - Trimmer setting gauge
- 1 - Flexible lighting fixture {or See Thru Guard in its place or both
(if order specified) (Both for G-4OB)}
- 1 - TX-108 Grinding wheel
- 1 - Box wrench #803-A
- 1 - T - wrench
- 2 - Allen wrenches - 10-24 and 5/16
- 1 - Gauge bar assembly (G-40 & G-44 Domestic & Export & G-4 Export)
- 1 - Allen wrench 5/16 cap screw {for mounting micrometer gauge G-40,
(G-44 and export machines ONLY)}
- 1 - Tool board
- 1 - Hand crank (not furnished with G-4SB)
- 1 - Operating instructions

EXTRA EQUIPMENT

- 1 - Extension finger
- 1 - Saw grinder
(Write in below any extra blades or equipment)