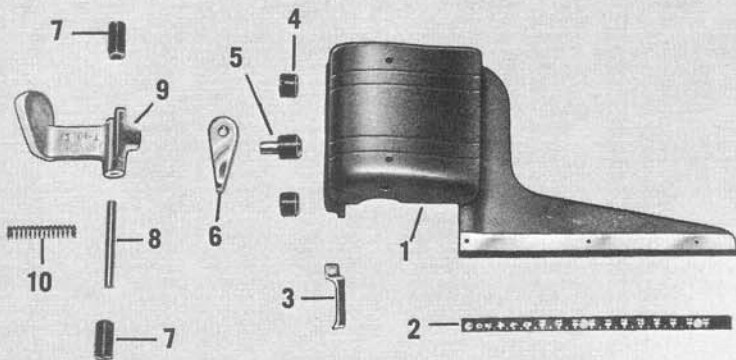


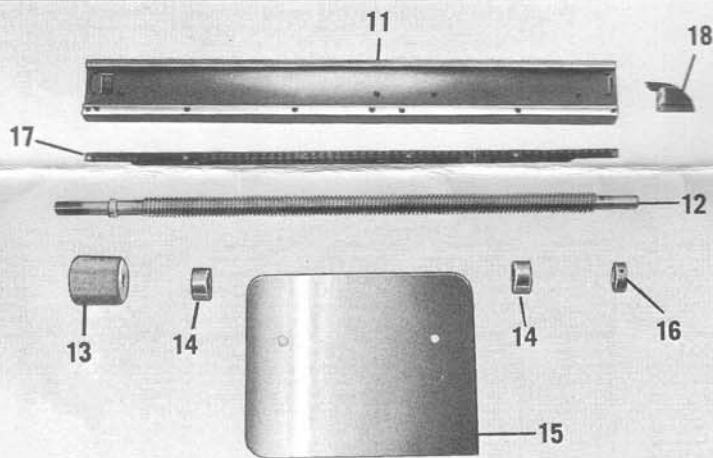
1. SA-841 SAW GUARD & LIGHT FIXTURE
T-1444 Saw Guard
TX-1480 Window
TS-1445 Rod
T-1446 Guard Arm
10-5MCP Light Fixture
2. T-1412 DOOR
T-1009 Door Link
TS-1029 Hinge Pin
3. TX-1432 BELT GUARD
TS-1176 Belt Guard Studs (2)
LS-164 Spacers (2)
4. TABLE ASSEMBLY
T-1411 Sub Table
T-1418 Gliding Table

5. TX-1410 PEDESTAL
TS-1292 Leveling Screws (4)
 6. SA-610 CHIP BUGGY WITH HANDLE
 7. BX-303 TOGGLE SWITCH-SINGLE PHASE
BX-304 TOGGLE SWITCH-THREE PHASE
 8. TX-1389 TOOL COMPARTMENT
TX-123 Trimmer Adjusting Wrench
803-A Box Wrench
- TS-1079 Ball Bearing Ways (4)
TX-1409 Ball Retainers (2)
BB-12 Steel Balls (20)
T-1417 Bumper Blocks (2)
805 Rubber Bumpers (2)
TS-1130 Cover Strip
TS-296 Table Lock Screw
TX-175 Table Lock Screw Spring



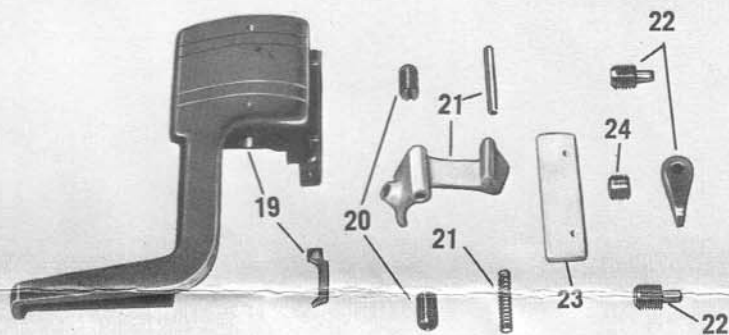
SA-815 FINGER ASSEMBLY

1. T-1449 Finger
2. TX-1016 Finger Scale
3. TS-292 Pointer
4. TS-1440 Lock Screw (2)
5. TS-1491 Adjusting Plug
6. T-135 Lever
7. TS-1041 Adjusting Sleeve (2)
8. TS-1040 Pin
9. T-1023 Finger Nut
10. TX-1390 Spring



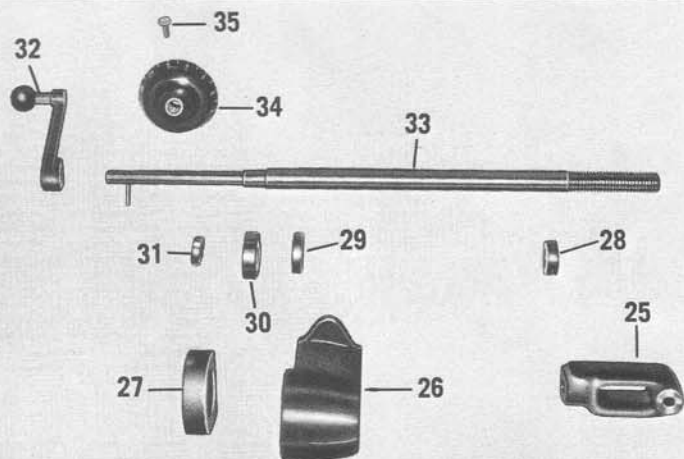
SA-817 MICROMETER GAUGE ASSEMBLY

11. TS-1039 Gauge Bar (Model G-100)
TS-1187 Gauge Bar (Model G-140)
12. TS-1044 Micrometer Screw (Model G-100)
TS-1189 Micrometer Screw (Model G-140)
13. TS-1468 Handwheel
14. T-205 End Bearings (2)
15. TX-1121 Extension Plate (Model G-100)
TX-1195 Extension Plate (Model G-140)
16. TS-1043 Micrometer Dial
17. TX-1051 Scale (Model G-100)
TX-1188 Scale (Model G-140)
18. TX-157 Thumb Guard



SA-818 EXTENSION FINGER ASSEMBLY

19. T-1517 Finger with TS-292 Pointer
20. TS-1041 Adjusting Sleeves (2)
21. T-1023 Finger Nut with TX-1390 Spring & TS-1040 Pin
22. TS-1440 Lock Screw with T-135 Handle
23. TS-1518 Gib
24. TS-1491 Adjusting Plug

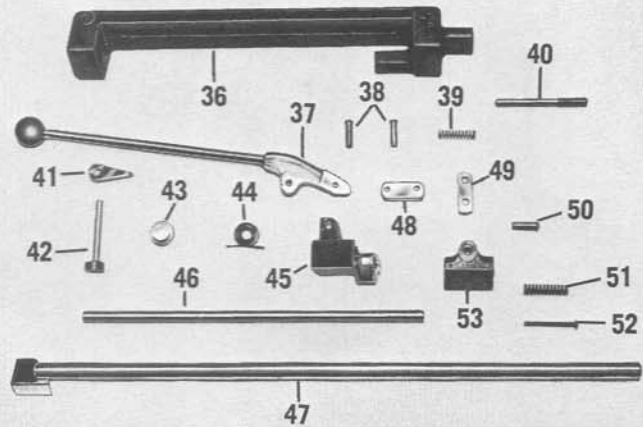


SAW RAISING DEVICE

25. T-1428 Nut
26. T-1414 Saw Raising Bracket
27. T-1311 Bearing Cap
28. TS-1129 Set Collar
29. 17528 Oil Seal
30. L-304 Ball Bearing
31. N-04 Bearing Lock Nut
32. T-1019 Crank with Handle
33. TS-1430 Saw Raising Screw
34. TX-1276 Dial
35. TS-523 Dial Screw

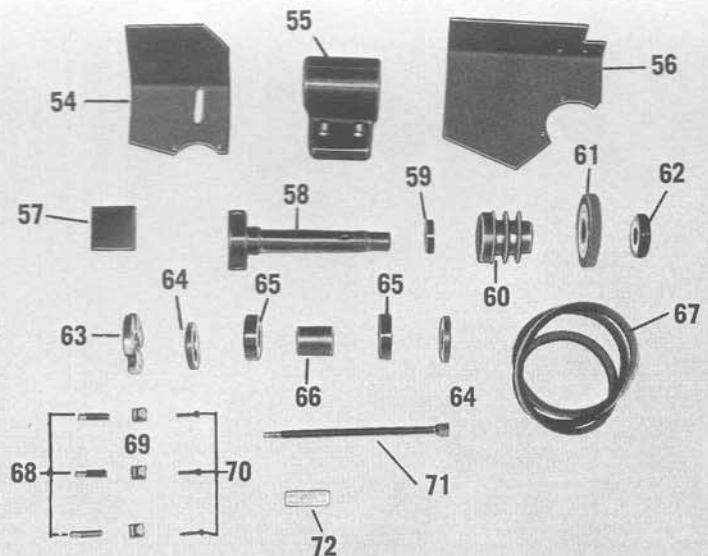
SA-816 WORKHOLDER CLAMP ASSEMBLY

- 36. T-1484 Clamp Frame
- 37. SA-611 Clamp Lever
- 38. TS-1185 Hinge Pin with Snap Ring (4)
- 39. TX-171 Spring
- 40. TS-1488 Adjusting Screw
- 41. T-135 Lever
- 42. TS-1486 Locking Cam
- 43. TS-1485 Locating Plug
- 44. TX-110 Spring
- 45. T-1489 Bracket
- 46. TS-287 Clamp Rod
- 47. TS-1116 Clamp Bar
- 48. TS-225 Toggle Link
- 49. TS-146 Clamp Jaw
- 50. TS-1185 Hinge Pin with Snap Ring
- 51. TX-159 Spring
- 52. 8-32 x 1 $\frac{3}{4}$ Machine Screw
- 53. T-1490 Clamp



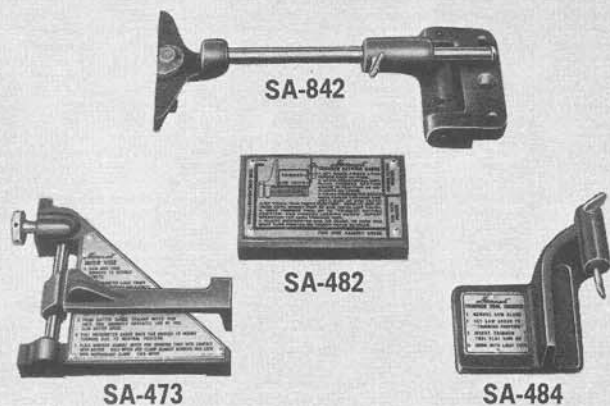
SA-814 SAW ARBOR ASSEMBLY

- 54. TX-1439 Mounting Plate
- 55. T-1436 Bearing Housing
- 56. TX-1438 Chip Guard
- 57. TX-1084 Saw Silencer Felt
- 58. TS-101 Saw Arbor
- 59. TS-106 Arbor Sheave Nut
- 60. T-1156 Arbor Sheave
- 61. TX-108 Grinding Wheel
- 62. TS-104 Grinding Wheel Nut
- 63. TS-103 Saw Head
- 64. TS-574 Bearing Retaining Ring
- 65. 205-PP Ball Bearings (2)
- 66. TS-579 Ball Bearing Spacer
- 67. TX-1269 V Belts (2)
- 68. TS-107 Trimmers (3)
- 69. TS-135 Wedge Plugs (3)
- 70. 10-32 x $\frac{7}{8}$ Socket Head Cap Screws (3)
- 71. TS-102 Thru Bolt
- 72. TX-1437 Instruction Plate



ACCESSORIES

- SA-484 TRIMMER TOOL GRINDER
 - T-1124 Grinding Fixture
 - TX-1183 Instruction Plate
 - $\frac{1}{4}$ x $\frac{1}{2}$ Thumb Screw
 - $\frac{1}{4}$ x 1 $\frac{1}{2}$ Thumb Screw
- SA-482 TRIMMER SETTING GAUGE
 - T-149 Gauge Block
 - TX-124 Instruction Plate
- SA-473 MITER VISE
 - T-114 Miter Block
 - TX-100 Instruction Plate
 - T-115 Clamp
 - TS-167 Rod
 - TS-136 Thumb Screw with Pin
- SA-842 BATTER & LINE-UP GAUGE
 - T-1090 Batter Head with Guide Rod
 - TS-1091 Batter Gauge Dial
 - TS-1099 Batter Gauge Stud
 - TX-1109 Spring with Steel Ball
 - T-1413 Mounting Bracket
 - T-1010 Pivot Bracket with Bushing
 - RAS-986 Pivot Pin



MAINTENANCE INSTRUCTIONS

CLEAN WEEKLY: (Use Grease Solvent and Clean Cloth)

- 1 — Ball Bearing Table Ways: clean all four ways by cleaning half of each way with table at one end and repeat with table at other end. DO NOT OIL.
- 2 — Gauge and Finger: clean the two sliding surfaces of the micrometer gauge and the two on the finger and the finger half-nut thread. DO NOT OIL.
- 3 — Workholder Clamp: clean sliding surface (round rods). DO NOT OIL.
- 4 — Table Ball Alignment: when doing weekly cleaning, bump the table at both ends of its stroke until the rubber bumpers are felt hitting the table stops. This will keep the balls in proper position to provide maximum sawing capacity in front of saw blade.

OIL WEEKLY: (Lubricate with SAE No. 20 Oil)

- 1 — Workholder Clamp: oil four joints of toggle links.
- 2 — Micrometer screw bearings.
- 3 — Motor: lubricate according to motor manufacturer's instructions attached to motor.

OIL MONTHLY:

- 1 — Saw raising screw threads.
- 2 — Saw hanger pivot bearing.

ADJUSTMENT INSTRUCTIONS

MICROMETER GAUGE

End play may be removed by loosening set screw in end of handwheel and turning the handwheel while holding the micrometer gauge screw from turning.

MICROMETER GAUGE FINGER

Looseness in its fit may be eliminated by adjusting the threaded plugs on the front of the finger. First loosen the set screws that lock these plugs.

Looseness in the half-nut may be removed by tightening the screw on the right face of the arch. A set screw at the top must first be loosened.

SAW ARBOR

The arbor is fitted with two ball bearings. To remove end play or replace the bearings, please communicate with the factory for instructions.

GLIDING TABLE

If the gliding table doesn't appear to be operating correctly, clean all four ball bearing ways with grease solvent and bump the table at both ends until rubber bumpers are felt hitting to re-align the balls. The table should then run smoothly through its full stroke and not have any side play. DO NOT attempt to adjust the ball bearing ways without first communicating with the factory.

SERVICE DEPARTMENT

Our Service Department will gladly send you any additional information about your Glider TrimOsaw you may care to have. Write us any time you feel we can be of help or assistance. Please give Model and Serial Number of your machine when writing.

